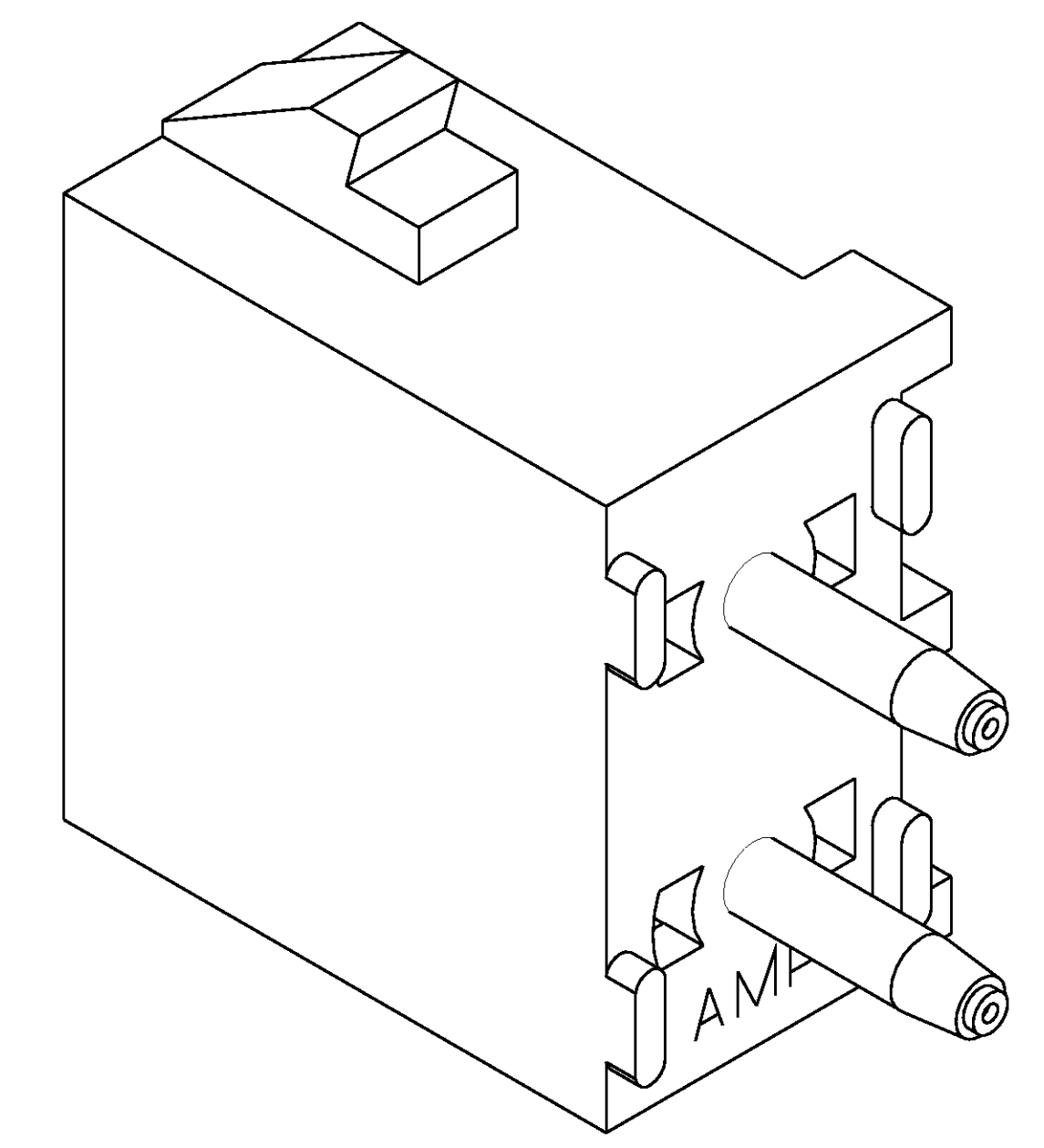
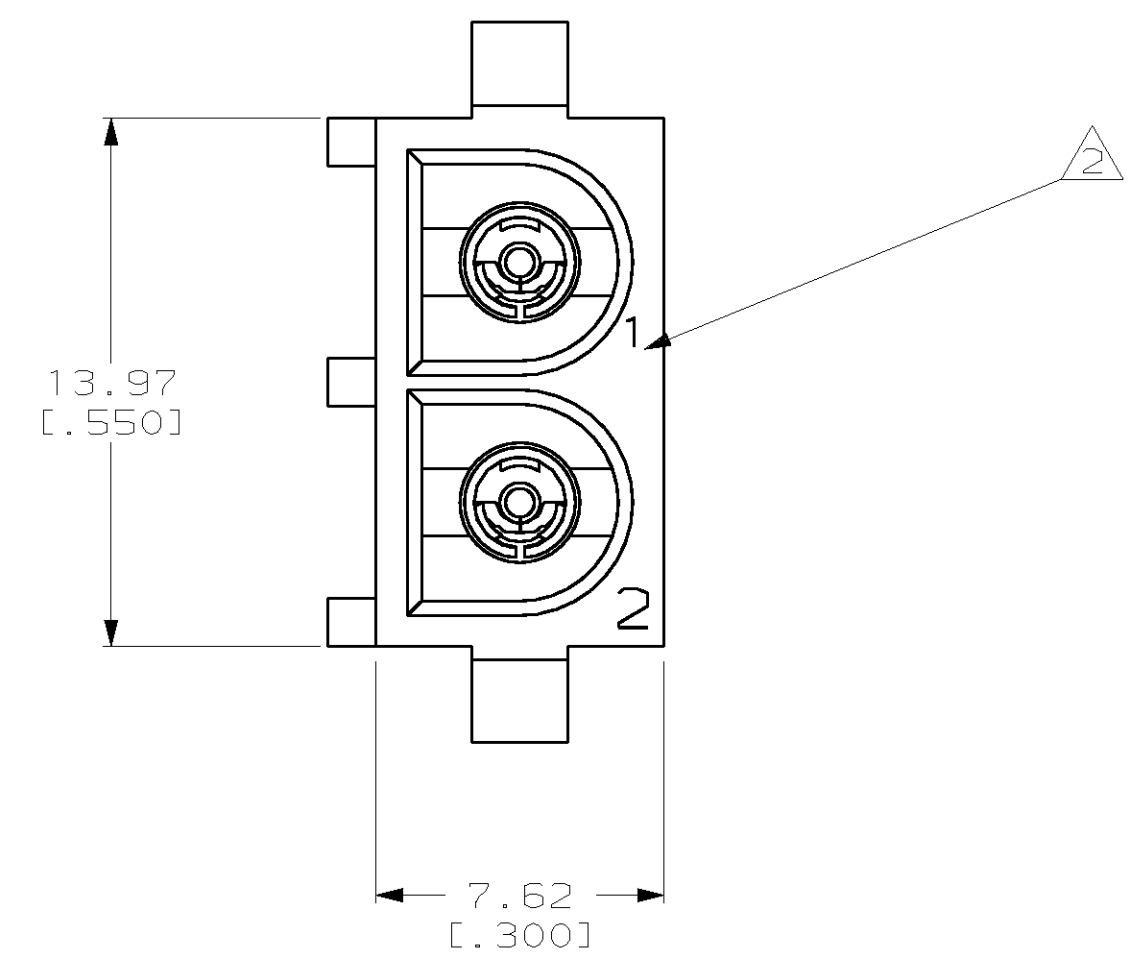
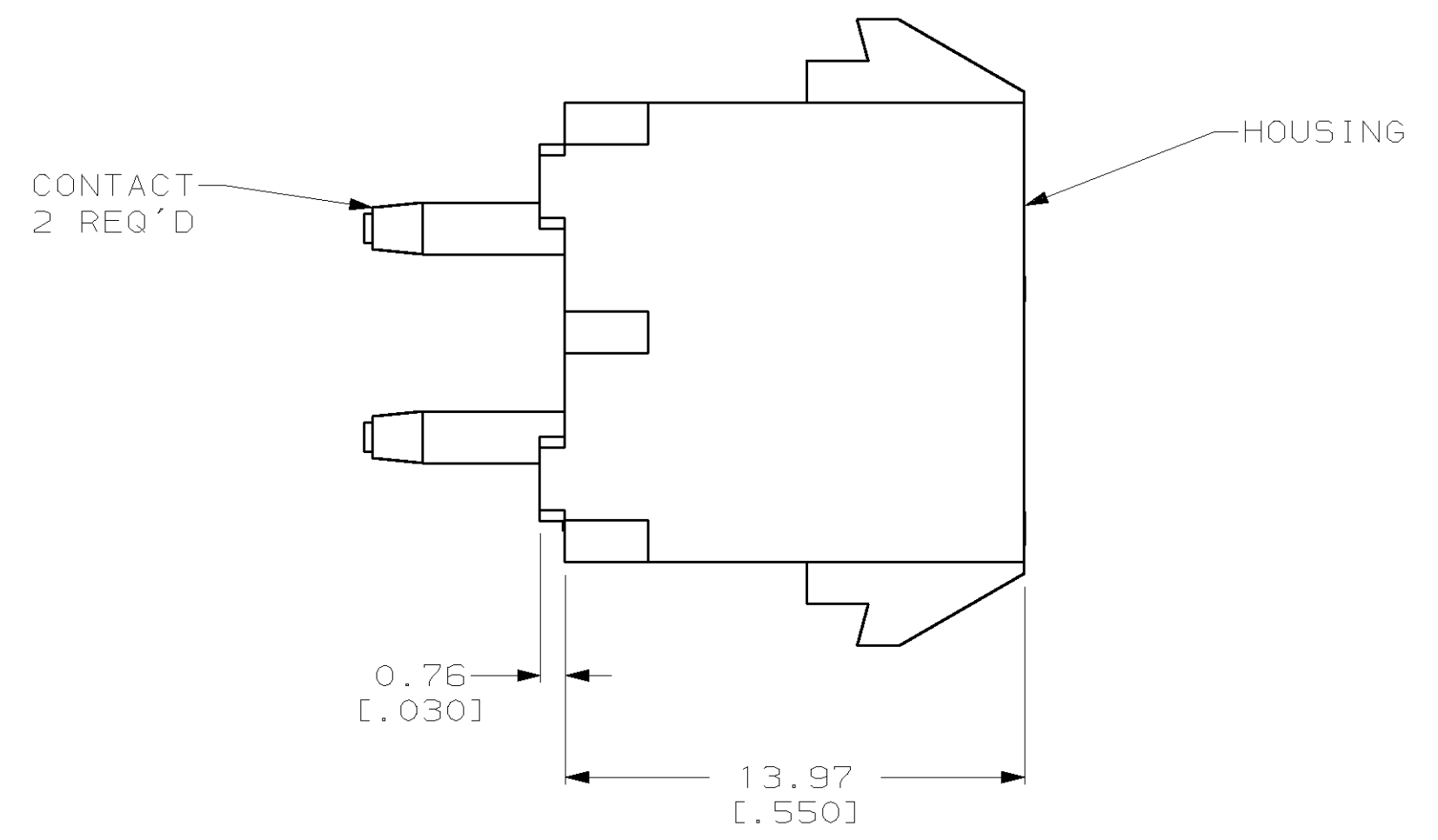
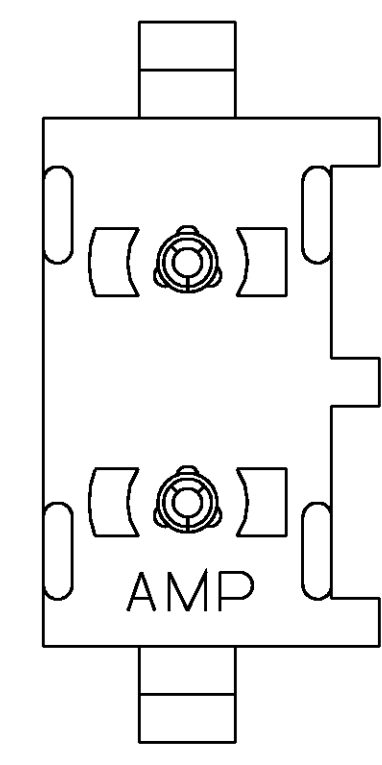
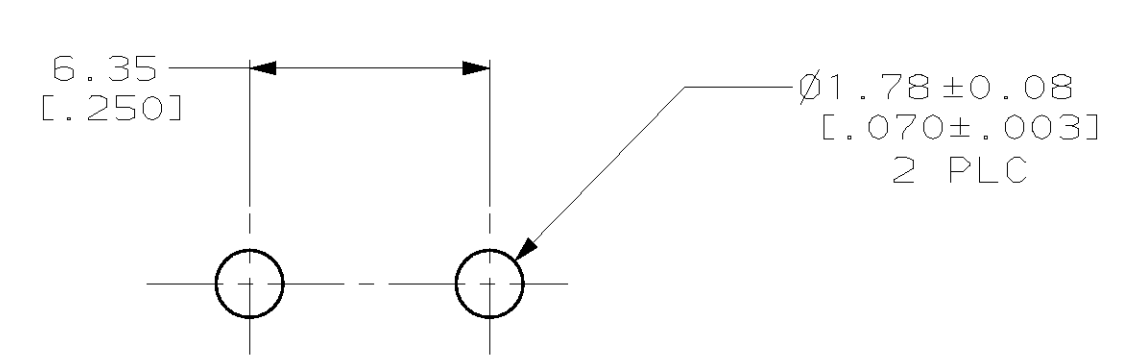
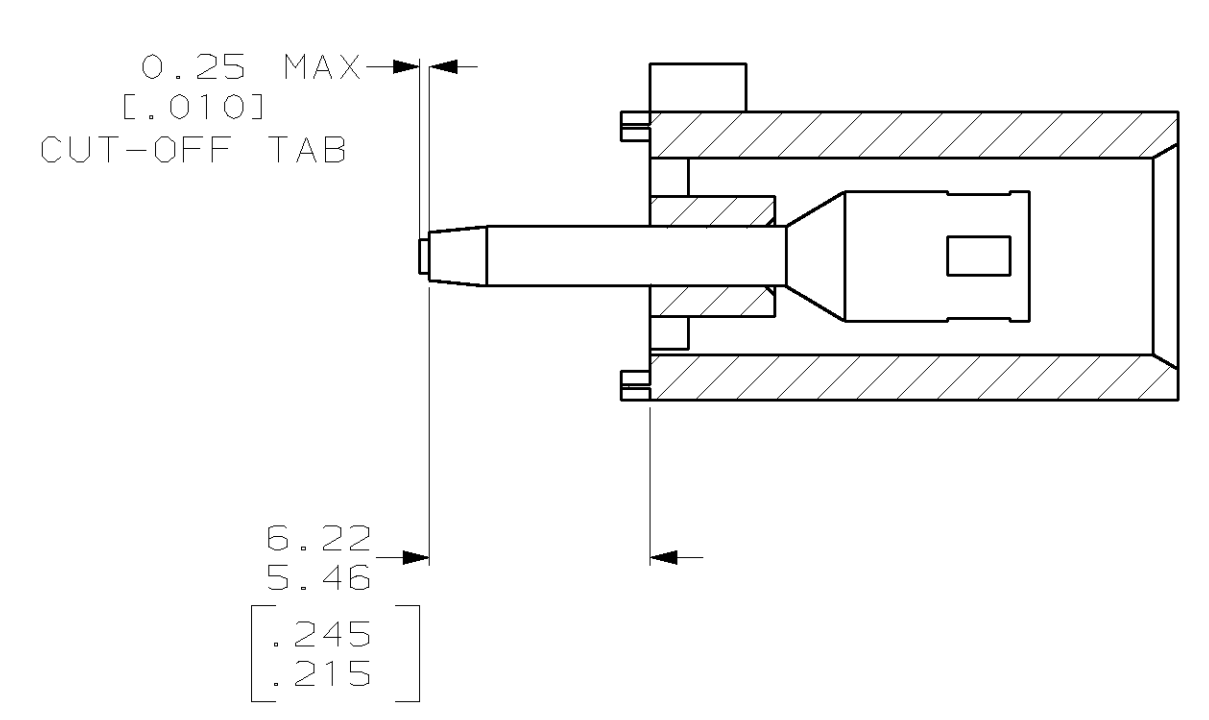


- PARTS COMPLY TO AMP SOLDERABILITY SPECIFICATION 109-11-3.
- CIRCUIT IDENTIFICATION CHARACTERS ARE ADJACENT TO THE INDICATED CAVITIES, BUT LOCATION AND ORIENTATION MAY DIFFER FROM PRINT.
- DIMENSIONS IN BRACKETS ARE IN INCHES.



3-DIMENSIONAL MODEL  
NTS



RECOMMENDED MOUNTING HOLE PATTERN  
FOR 3.18 [.125] THICK P.C. BOARD

PHOSPHOR BRONZE, PRE-TIN PIN CONTACT MATERIAL AND FINISH	NYLON, UL94V-0, WHITE HOUSING MATERIAL	350831-1 PART NO
THIS DRAWING IS A CONTROLLED DOCUMENT.		DWN D. LEWIS 8-19-98
DIMENSIONS mm (INCHES)		CHK R. SWING 8-19-98
TOLERANCES UNLESS OTHERWISE SPECIFIED.		APVD M. TRULLI 8-19-98
0 PLC ±	1 PLC ±	PRODUCT SPEC
2 PLC ±0.13 (.005)	3 PLC ±	APPLICATION SPEC
4 PLC ±	ANGLES 40°-30°	WEIGHT
MATERIAL SEE TABLE	FINISH SEE TABLE	CUSTOMER DRAWING
AMP Incorporated Harrisburg, PA 17105-3608		NAME SOCKET HEADER ASSEMBLY, 2 CIRCUIT UNIVERSAL MATE-N-LOK™
DRAWING NO A1 00779 C-350831		SCALE 5:1 SHEET 1 OF 1 REV N

